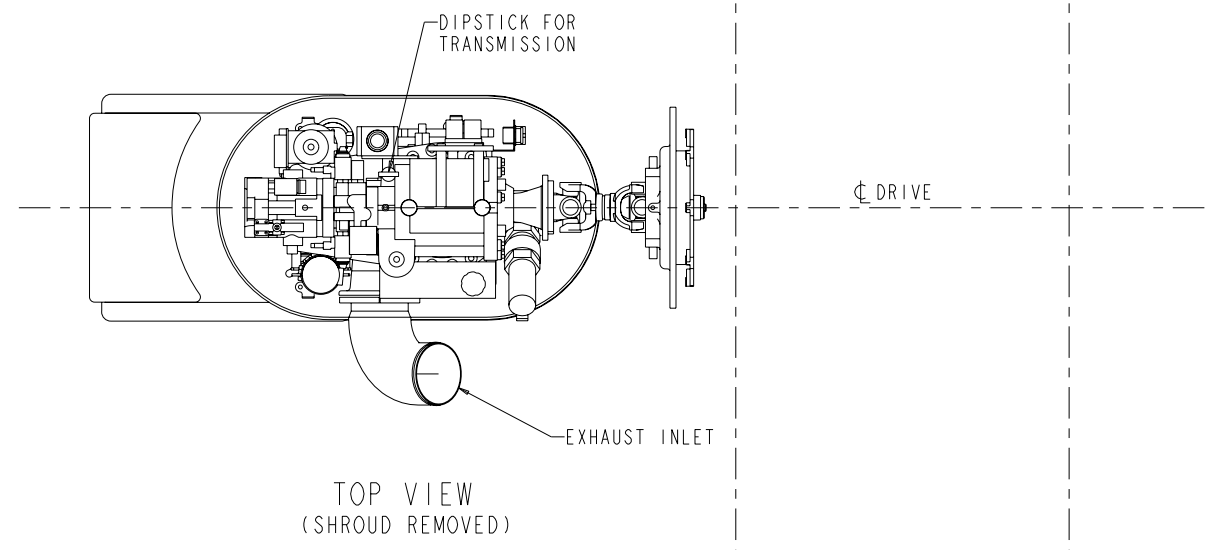
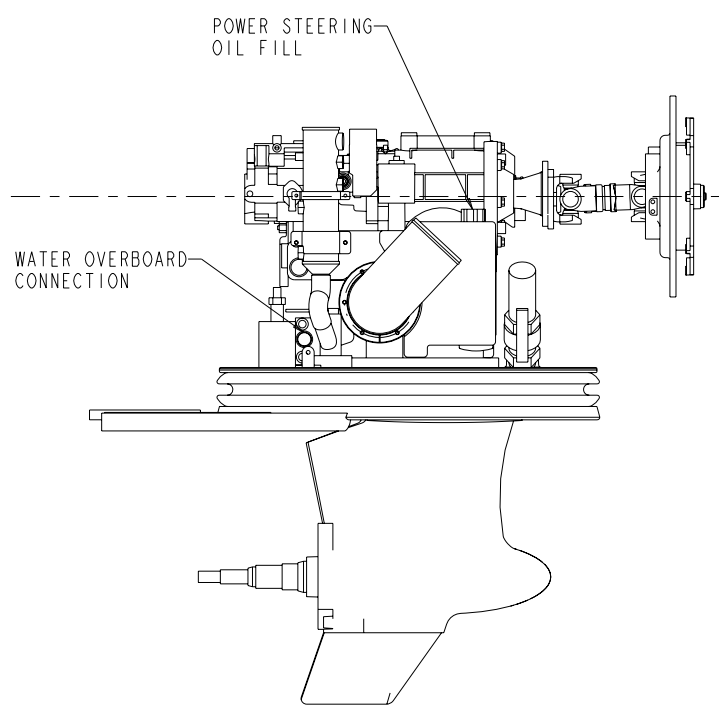


ITEM NUMBER  
4953735

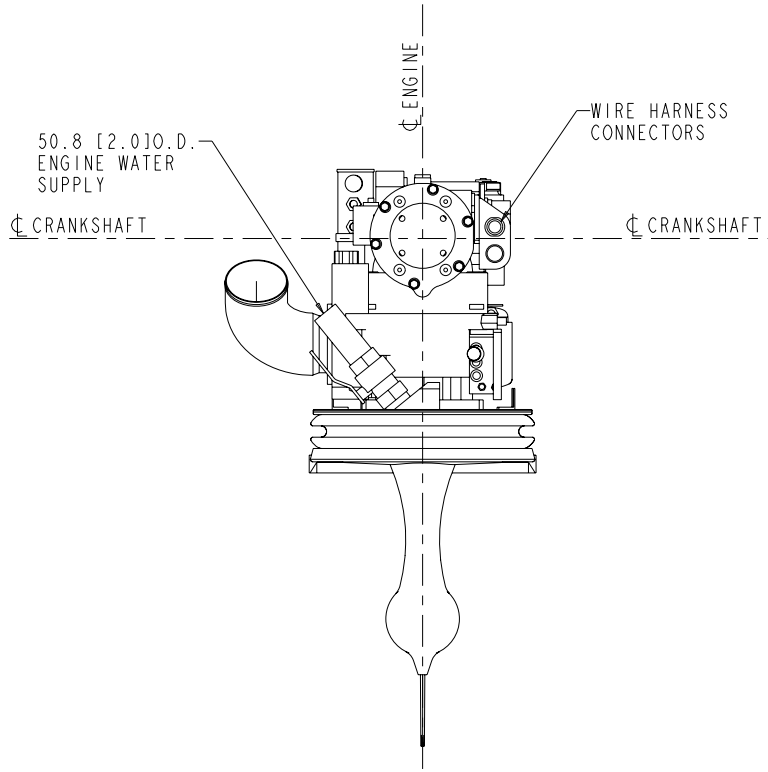
REVISIONS			
ZONE	REV	DESCRIPTION	APP'D
04	REVISED		



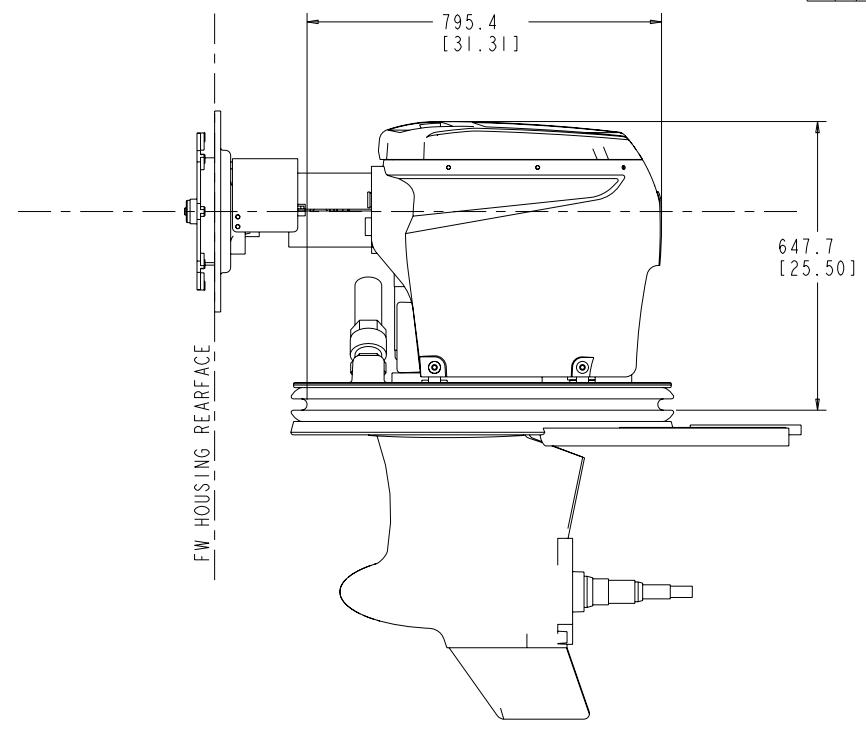
TOP VIEW  
(SHROUD REMOVED)



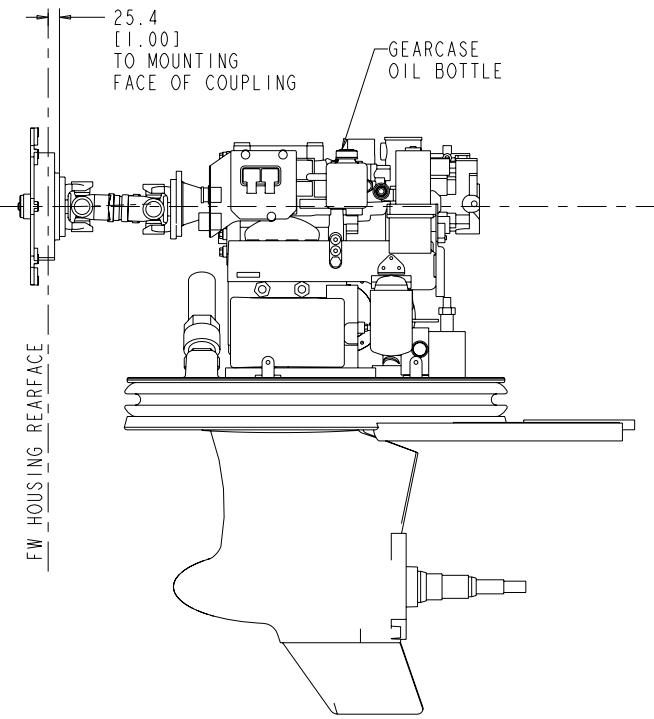
STARBOARD VIEW  
(SHROUD & EXHAUST REMOVED)



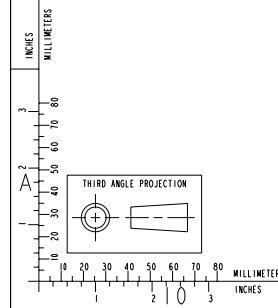
FRONT VIEW  
(SHROUD REMOVED)



PORT VIEW



PORT VIEW  
(SHROUD & SHIELDS REMOVED)



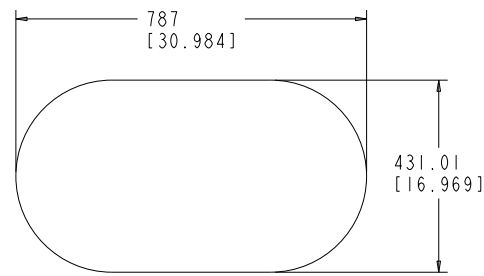
DO NOT SCALE THIS DRAWING  
THIS DRAWING/DATA FILE (AND THE INFORMATION SHOWN THEREON) IS CONFIDENTIAL AND PROPRIETARY AND SHALL NOT BE USED, DISCLOSED TO OTHERS, OR REPRODUCED BY ANY MEANS FOR ANY PURPOSE IN HARD COPY FORM OR IN MACHINE READABLE FILES, WITHOUT WRITTEN CONSENT OF CUMMINS INC., MARKETING CAD SERVICES DEPARTMENT.

PRODUCT GRAPHICS FILE  
NO ORIGINAL DRAWING EXISTS FOR THIS ITEM. THE ENGINEERING GRAPHICS DATA FOR THIS ITEM RESIDES IN THE PRODUCT GRAPHICS FILE AND IS CONTROLLED BY THE AGENCY DESIGNATED AS HAVING ITEM CONTROL.

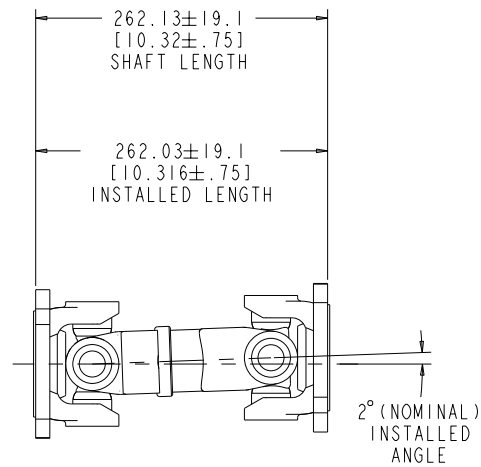
LAST SECTION LETTER USED:	REF. DRAWING STANDARDS: ANSI Y14.5M ISO 81101	ITEM NAME	<b>CUMMINS INC.</b>
UNLESS OTHERWISE SPECIFIED DIMENSIONS ARE IN: MILLIMETERS ( ) ARE IN: INCHES		IDENTIFIER	QSB 5.9 W/ ZEUS DRIVE
DWN: TMO/TGANG 12-29-04		SIZE CODE (IDENT. NO.)	J
CHD: UNCHECKED		ITEM NUMBER	4953735
APPD:		SCALE: N/A	ITEM CONTROL: MCS SHEET 2 OF 3

ITEM NUMBER  
4953735

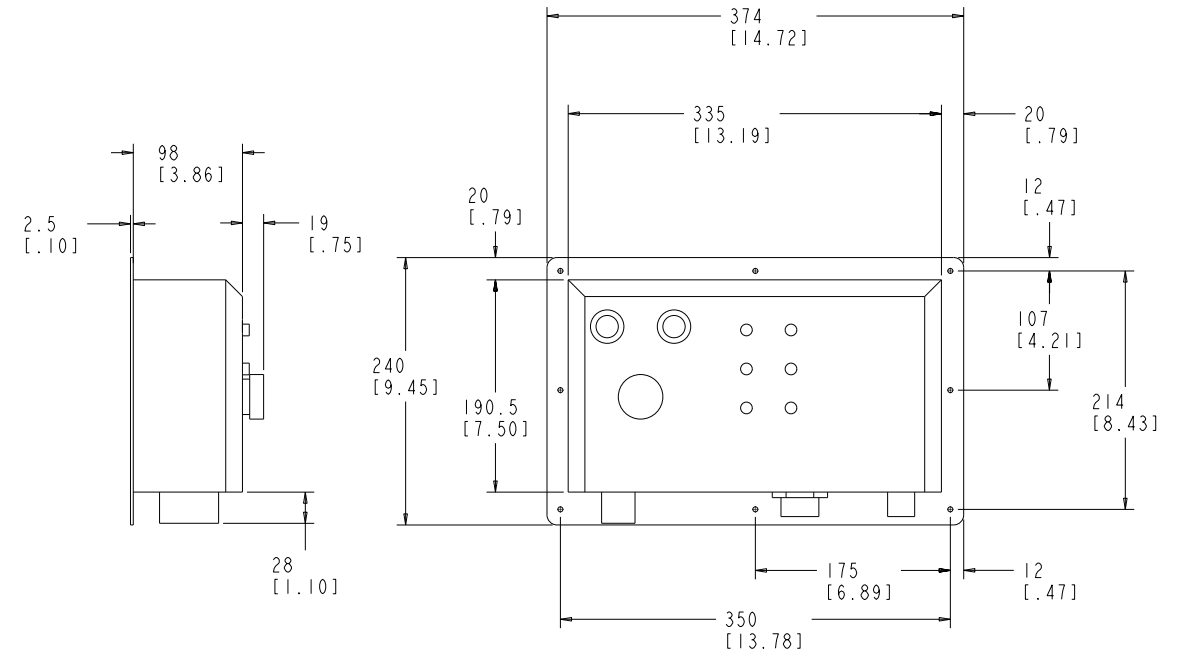
REVISIONS			
ZONE	REV	DESCRIPTION	APP'D
04	REVISED		



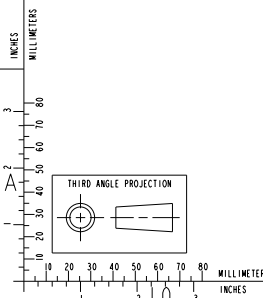
HULL CUTOUT DIMENSIONS



STANDARD DRIVE SHAFT



**E18014**  
VIP BOX



PRODUCT GRAPHICS FILE  
NO ORIGINAL DRAWING EXISTS FOR THIS ITEM. THE ENGINEERING GRAPHICS DATA FOR THIS ITEM RESIDES IN THE PRODUCT GRAPHICS FILE AND IS CONTROLLED BY THE AGENCY DESIGNATED AS HAVING ITEM CONTROL.

DO NOT SCALE THIS DRAWING

THIS DRAWING/DATA FILE (AND THE INFORMATION SHOWN THEREON) IS CONFIDENTIAL AND PROPRIETARY AND SHALL NOT BE USED, DISCLOSED TO OTHERS, OR REPRODUCED BY ANY MEANS FOR ANY PURPOSE IN HARD COPY FORM OR IN MACHINE READABLE FILES, WITHOUT WRITTEN CONSENT OF CUMMINS INC., MARKETING CAD SERVICES DEPARTMENT.

LAST SECTION LETTER USED:	REF. DRAWING STANDARDS: ANSI Y14.5M ISO 81101	<b>CUMMINS INC.</b>	
UNLESS OTHERWISE SPECIFIED DIMENSIONS ARE IN: MILLIMETERS ( ) ARE IN: INCHES	ITEM NAME	QSB 5.9 W/ ZEUS DRIVE	
DWN: TMO/TGANG 12-29-04	IDENTIFIER	INSTALLATION DIAGRAM	
CHD: UNCHECKED	SIZE CODE IDENT. NO. ITEM NUMBER	J 4953735	
APPD:	SCALE: N/A	ITEM CONTROL: MCS	SHEET 3 OF 3