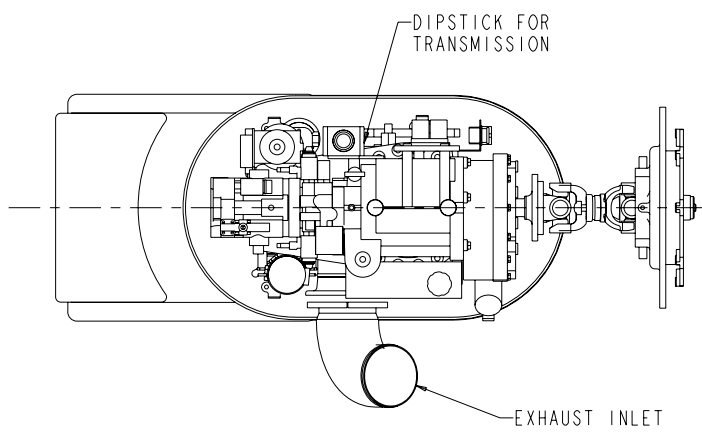
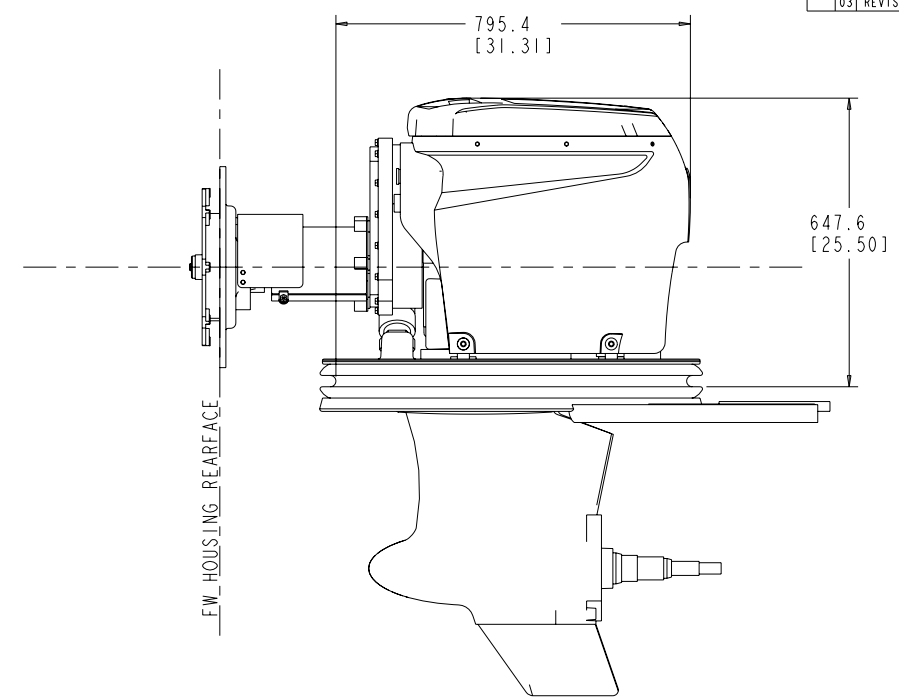


ITEM NUMBER
4953786

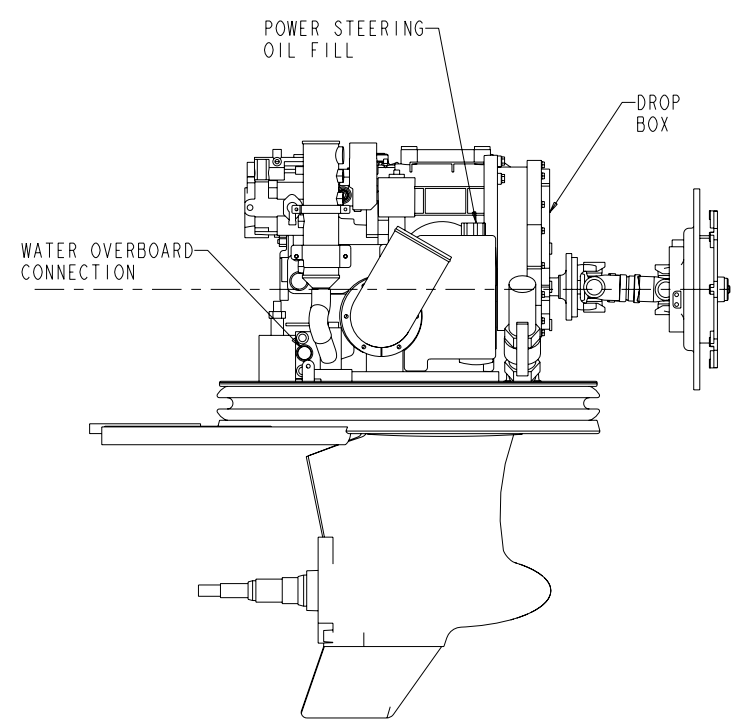
REVISIONS			
ZONE	REV	DESCRIPTION	APP'D
03	REVISED		



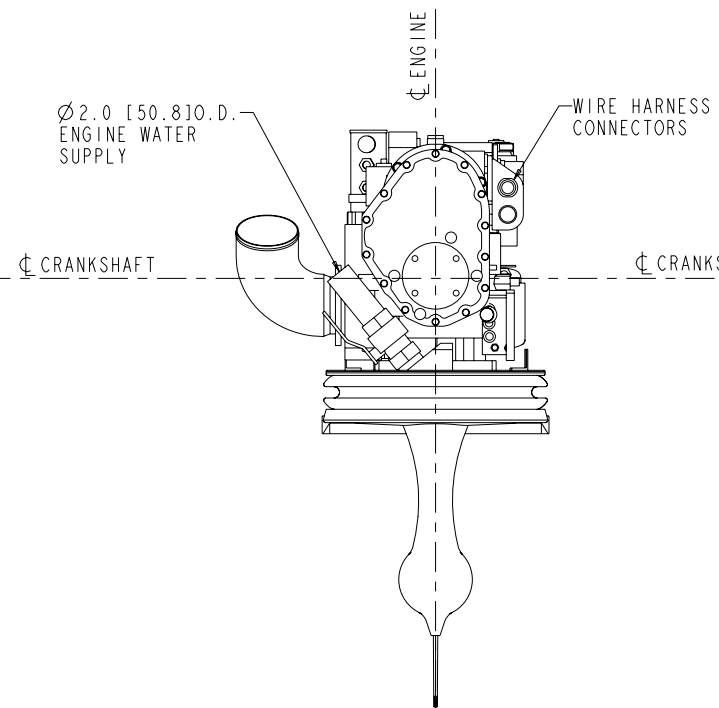
TOP VIEW
(SHROUD REMOVED)



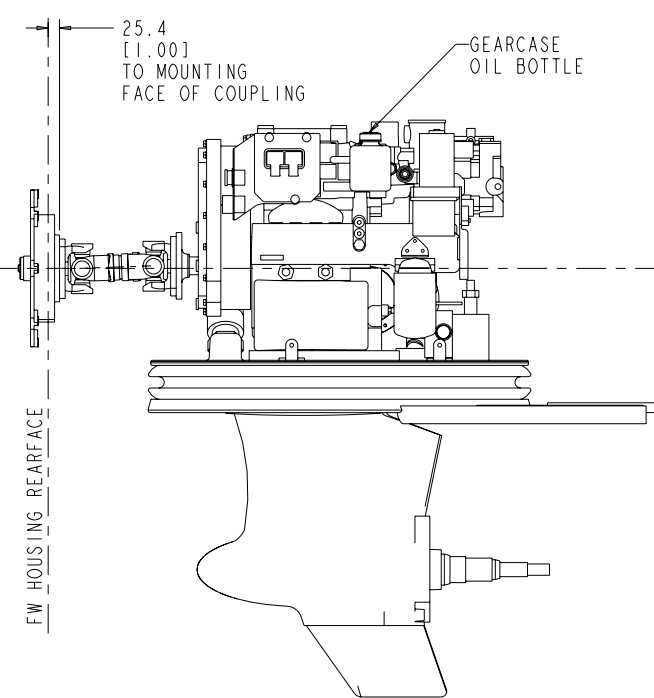
PORT VIEW



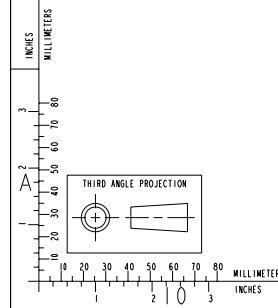
STARBOARD VIEW
(SHROUD & EXHAUST REMOVED)



FRONT VIEW
(SHROUD REMOVED)



PORT VIEW
(SHROUD & SHIELDS REMOVED)



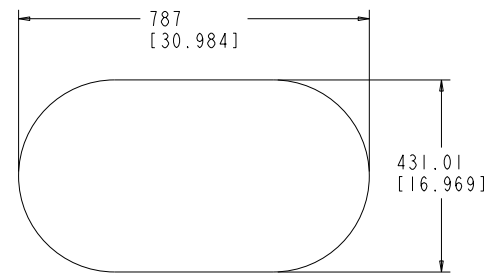
DO NOT SCALE THIS DRAWING
THIS DRAWING/DATA FILE (AND THE INFORMATION SHOWN THEREON) IS CONFIDENTIAL AND PROPRIETARY AND SHALL NOT BE USED, DISCLOSED TO OTHERS, OR REPRODUCED BY ANY MEANS FOR ANY PURPOSE IN HARD COPY FORM OR IN MACHINE READABLE FILES, WITHOUT WRITTEN CONSENT OF CUMMINS INC., MARKETING CAD SERVICES DEPARTMENT.

PRODUCT GRAPHICS FILE
NO ORIGINAL DRAWING EXISTS FOR THIS ITEM. THE ENGINEERING GRAPHICS DATA FOR THIS ITEM RESIDES IN THE PRODUCT GRAPHICS FILE AND IS CONTROLLED BY THE AGENCY DESIGNATED AS HAVING ITEM CONTROL.

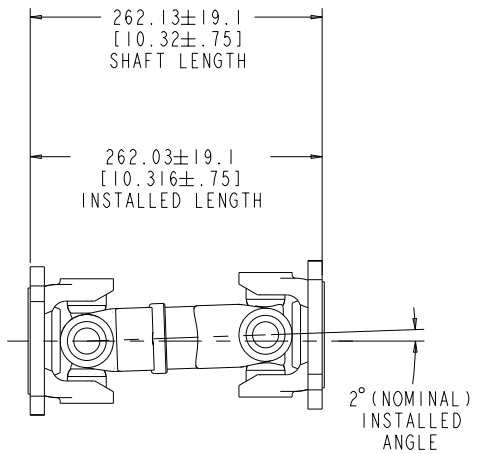
LAST SECTION LETTER USED:	REF. DRAWING STANDARDS: ANSI Y14.5M ISO 81101	CUMMINS INC.	
UNLESS OTHERWISE SPECIFIED DIMENSIONS ARE IN: MILLIMETERS () ARE IN: INCHES	ITEM NAME: QSB 5.9 W/ ZEUS DRIVE	IDENTIFIER: INSTALLATION DIAGRAM	
DWN: TMO/TGANG 12-29-04	SCALE: N/A	SIZE CODE (IDENT. NO.): J	ITEM NUMBER: 4953786
CHD: UNCHECKED	ITEM CONTROL: MCS	SHEET 2 OF 3	

ITEM NUMBER
4953786

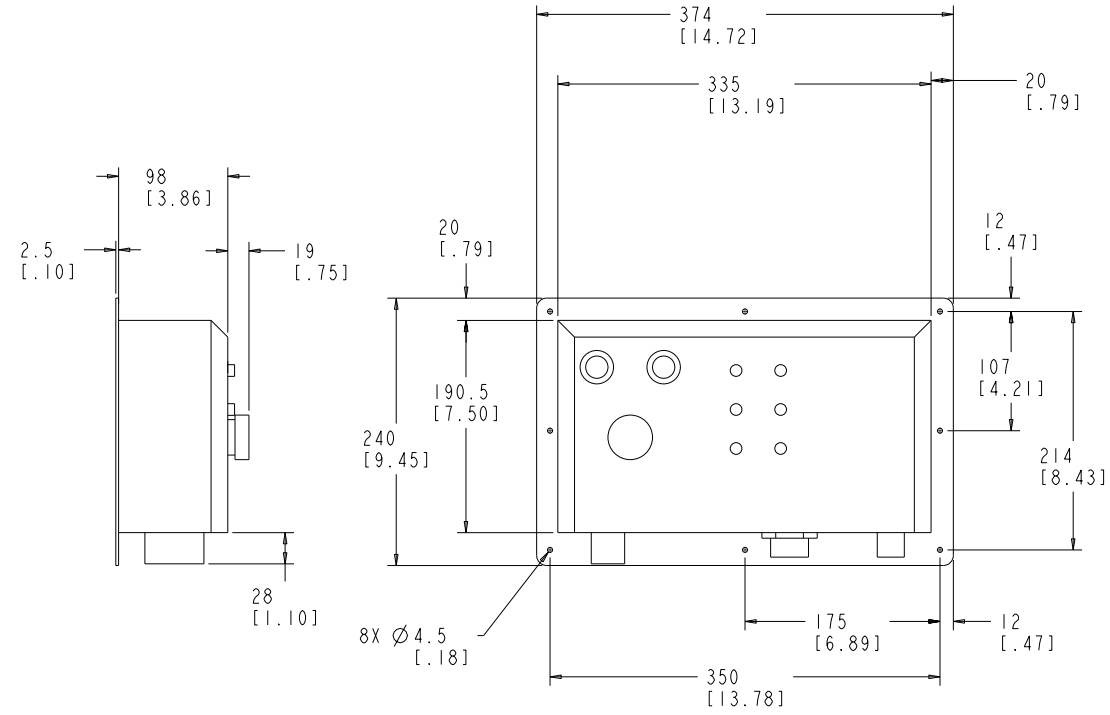
REVISIONS			
ZONE	REV	DESCRIPTION	APP'D
03	REVISED		



HULL CUTOUT DIMENSIONS

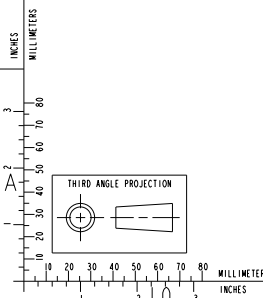


STANDARD DRIVE SHAFT



E18014
VIP BOX

PRODUCT GRAPHICS FILE
NO ORIGINAL DRAWING EXISTS FOR THIS ITEM. THE ENGINEERING GRAPHICS DATA FOR THIS ITEM RESIDES IN THE PRODUCT GRAPHICS FILE AND IS CONTROLLED BY THE AGENCY DESIGNATED AS HAVING ITEM CONTROL.



DO NOT SCALE THIS DRAWING

THIS DRAWING/DATA FILE (AND THE INFORMATION SHOWN THEREON) IS CONFIDENTIAL AND PROPRIETARY AND SHALL NOT BE USED, DISCLOSED TO OTHERS, OR REPRODUCED BY ANY MEANS FOR ANY PURPOSE IN HARD COPY FORM OR IN MACHINE READABLE FILES, WITHOUT WRITTEN CONSENT OF CUMMINS INC., MARKETING CAD SERVICES DEPARTMENT.

LAST SECTION LETTER USED:	REF. DRAWING STANDARDS: ANSI Y14.5M ISO 81101	CUMMINS INC.	
UNLESS OTHERWISE SPECIFIED DIMENSIONS ARE IN: MILLIMETERS () ARE IN: INCHES	ITEM NAME: QSB 5.9 W/ ZEUS DRIVE	IDENTIFIER: INSTALLATION DIAGRAM	
DWN: UNCHECKED	APPD: UNCHECKED	SIZE CODE IDENT. NO.:	ITEM NUMBER: 4953786
APPD:	SCALE: N/A	ITEM CONTROL: MCS	SHEET 3 OF 3