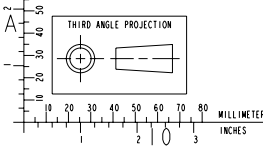


ITEM NUMBER
4953816
AC9197
BR9188
CH9071
DA9160
EE9245
EH9643
EM9280
FF90030
FH9446
FS9834
FW9350
HX9124
LA9098
LF9188
LG9971
OC9074
OP9315
PH9152
RD9033
RE9078
RG9482
SB9071
ST9322
SW9057
TB91143
TR9103
VB9031
WI9215
WO9083
XS9554

REVISIONS			
ZONE	REV	DESCRIPTION	APP'D
02	REVISED		



ENGINE SERVICE TEST PORTS/INSTALLATION CONNECTIONS					
①	AUXILIARY HEATER RETURN:	3/4 NPT	⑬	EXHAUST TEMPERATURE/BACK PRESSURE:	1/8-27 NPT
②	AUXILIARY HEATER SUPPLY:	3/4 NPT	⑭	FRONT ENGINE SUPPORT:	2X 21 [.83] X 31 [1.22] SLOT
③	BATTERY CONNECTION (STARTER) (+):	M10 X 1.5	⑮	FUEL RETURN TO TANK CONNECTION:	3/8-18 NPT
④	BATTERY CONNECTION (STARTER) (-):	M10 X 1.5	⑯	FUEL INLET CONNECTION:	3/4-16 UN, 37° FLARE
⑤	BATTERY CONNECTION (ECM) (+):	N/A	⑰	GEAR OIL COOLER DRAIN:	N/A
⑥	BATTERY CONNECTION (ECM) (-):	N/A	⑱	GEAR OIL COOLER INLET AND OUTLET:	N/A
⑦	COOLANT FILL:	Ø34.7 [1.36]	⑲	OIL HEATER CONNECTION:	M22 X 1.5
⑧	COOLANT RECOVERY/OVERFLOW CONNECTION:	Ø9.6 [3.8]	⑳	SEA WATER INLET:	Ø50.8 [2.00] O.D.
⑨	ENGINE OIL DRAIN:	3/4-16 NPT	㉑	SEA WATER OUTLET TO DRIVE:	Ø38.1 [1.50] O.D.
⑩	ENGINE OIL FILL:	Ø29.5 [1.16]	㉒	SHAFT LOG SEA WATER SUPPLY:	N/A
⑪	EXHAUST OUTLET CONNECTION (ELBOW):	Ø127 [5.00] O.D.	㉓	ZINC ANODE:	3X 1/2 NPT
⑫	EXHAUST OUTLET CONNECTION (TURBO):	4X M8 X 1.25	㉔	EXHAUST IDLE BYPASS CONN.	Ø76.2 [3.0] I.D.

NON-DROP
BOX INSTALLATION
SHOWN WITH 28.38"DRIVE SHAFT

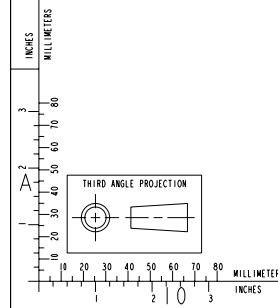
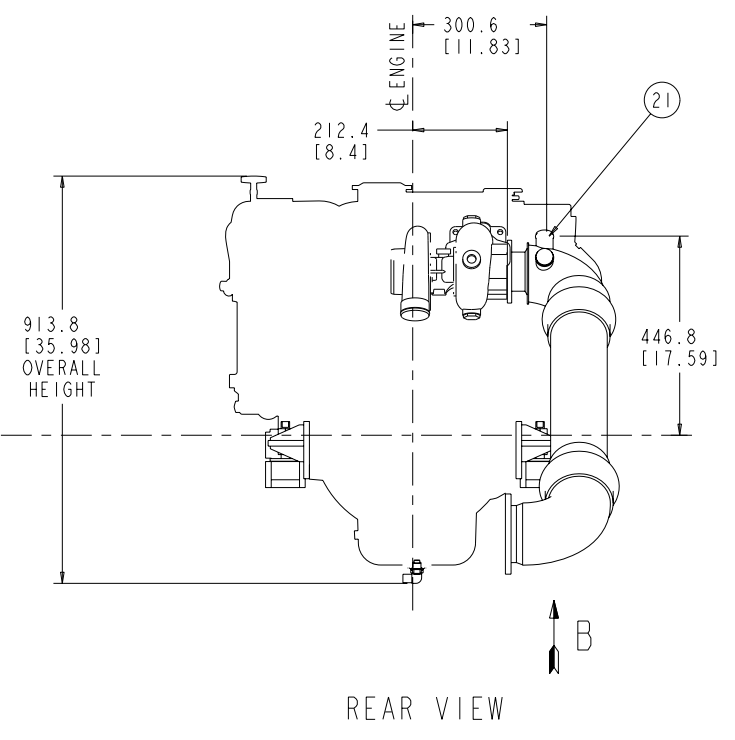
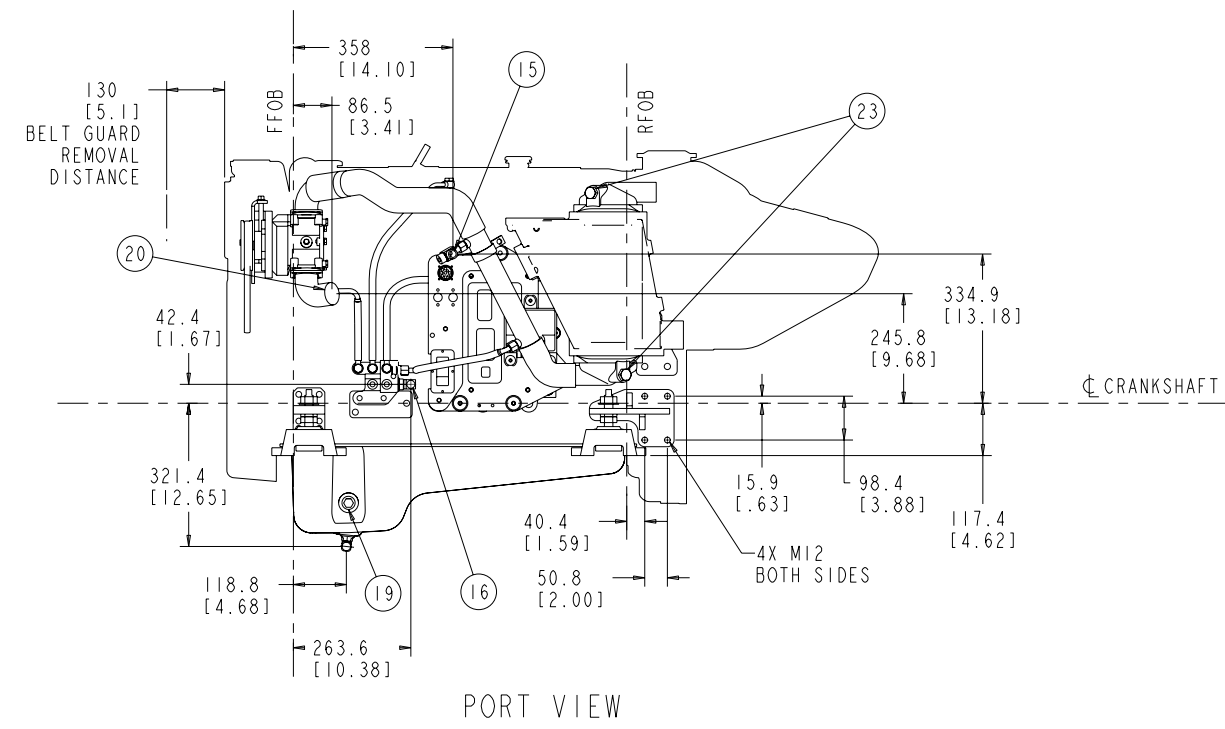
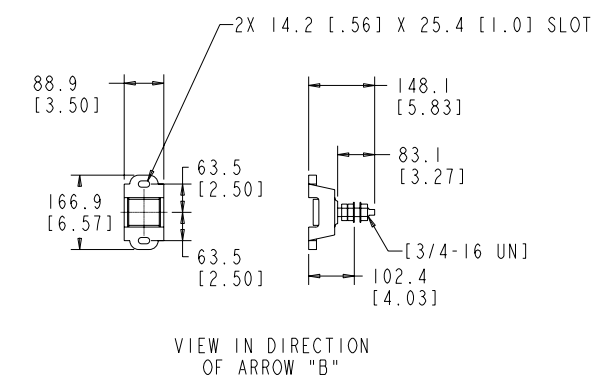
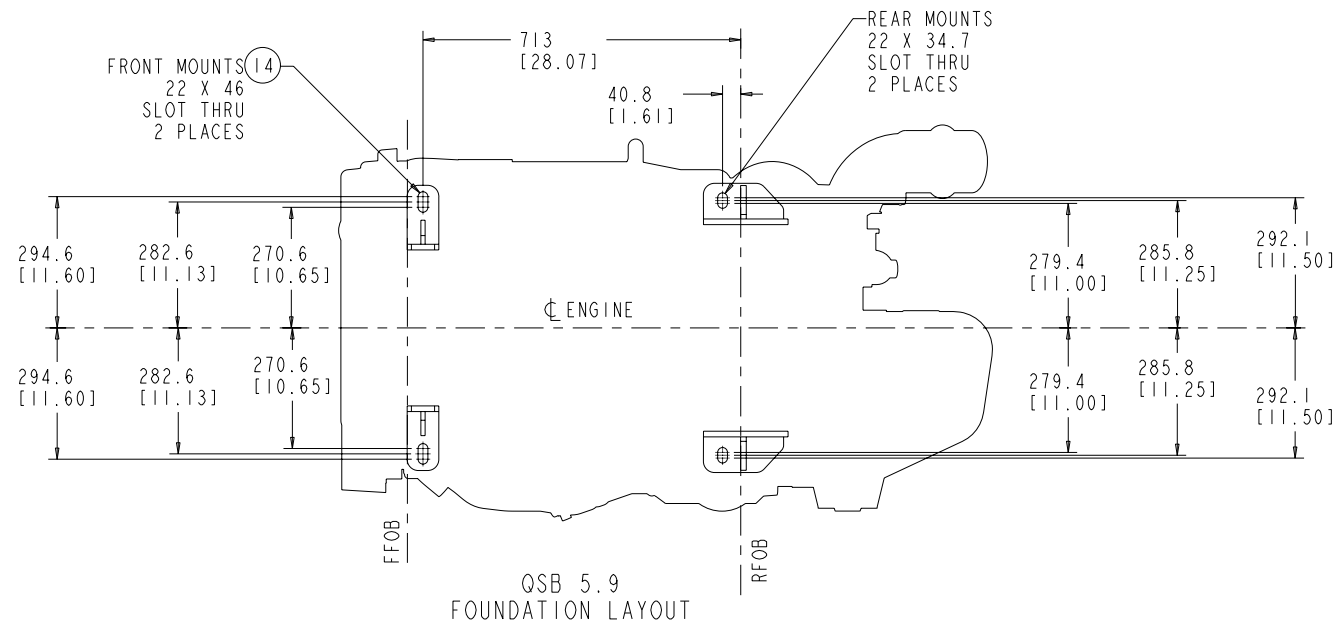
Product Graphics File
NO ORIGINAL DRAWING EXISTS FOR THIS ITEM. THE ENGINEERING GRAPHICS DATA FOR THIS ITEM RESIDES IN THE PRODUCT GRAPHICS FILE AND IS CONTROLLED BY THE AGENCY DESIGNATED AS HAVING ITEM CONTROL.

LAST SECTION LETTER USED:	REF. DRAWING STANDARDS:	CUMMINS INC.
:	ANSI Y14.5M ISO 81101	
UNLESS OTHERWISE SPECIFIED DIMENSIONS ARE IN: MILLIMETERS () ARE IN: INCHES	ITEM NAME:	QSB 5.9 W/ ZEUS DRIVE
DWN: S. SOMIN	IDENTIFIER:	INSTALLATION DIAGRAM
CHD: UNCHECKED	SIZE CODE (IDENT. NO.):	ITEM NUMBER
APPD:	J	4953816
APPD:	SCALE: N/A	ITEM CONTROL: MCS
		SHEET 1 OF 4

DO NOT SCALE THIS DRAWING
THIS DRAWING/DATA FILE (AND THE INFORMATION SHOWN THEREON) IS CONFIDENTIAL AND PROPRIETARY AND SHALL NOT BE USED, DISCLOSED TO OTHERS, OR REPRODUCED BY ANY MEANS FOR ANY PURPOSE IN HARD COPY FORM OR IN MACHINE READABLE FILES, WITHOUT WRITTEN CONSENT OF CUMMINS INC., MARKETING CAD SERVICES DEPARTMENT.

ITEM NUMBER
4953816

REVISIONS			
ZONE	REV	DESCRIPTION	APP'D
02	REVISED		



DO NOT SCALE THIS DRAWING

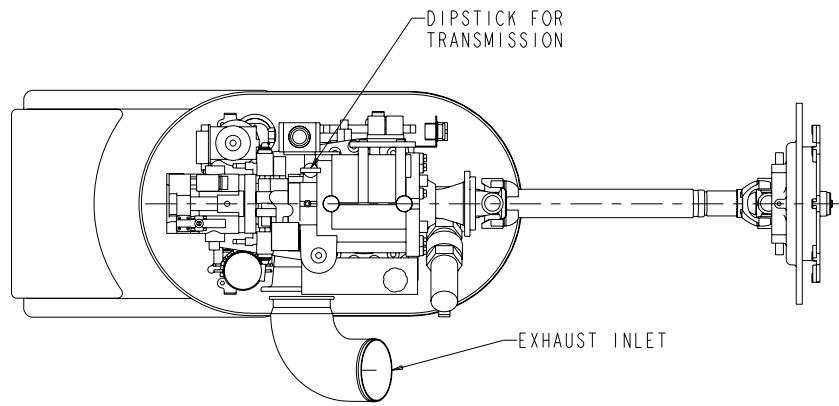
THIS DRAWING/DATA FILE (AND THE INFORMATION SHOWN THEREON) IS CONFIDENTIAL AND PROPRIETARY AND SHALL NOT BE USED, DISCLOSED TO OTHERS, OR REPRODUCED BY ANY MEANS FOR ANY PURPOSE IN HARD COPY FORM OR IN MACHINE READABLE FILES, WITHOUT WRITTEN CONSENT OF CUMMINS INC., MARKETING CAD SERVICES DEPARTMENT.

PRODUCT GRAPHICS FILE
NO ORIGINAL DRAWING EXISTS FOR THIS ITEM. THE ENGINEERING GRAPHICS DATA FOR THIS ITEM RESIDES IN THE PRODUCT GRAPHICS FILE AND IS CONTROLLED BY THE AGENCY DESIGNATED AS HAVING ITEM CONTROL.

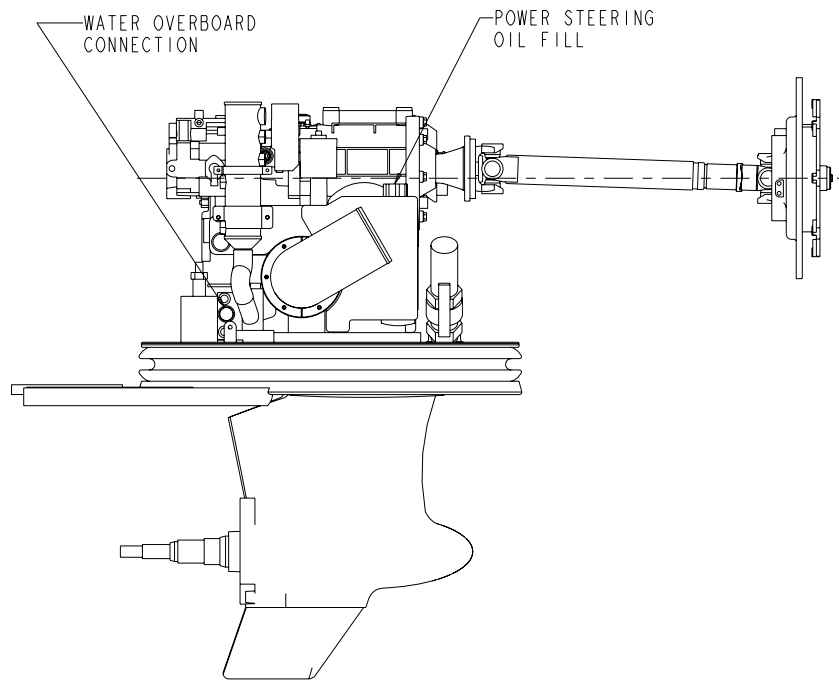
LAST SECTION LETTER USED:	REF. DRAWING STANDARDS: ANSI Y14.5M ISO 81101	CUMMINS INC.	
UNLESS OTHERWISE SPECIFIED DIMENSIONS ARE IN: MILLIMETERS () ARE IN: INCHES	ITEM NAME QSB 5.9 W/ ZEUS DRIVE	IDENTIFIER J	ITEM NUMBER 4953816
DWN: D. SOMIN	DATE: 7-11-07	SCALE: N/A	ITEM CONTROL: MCS
CHD: UNCHECKED			SHEET 2 OF 4
APPD:			

ITEM NUMBER
4953816

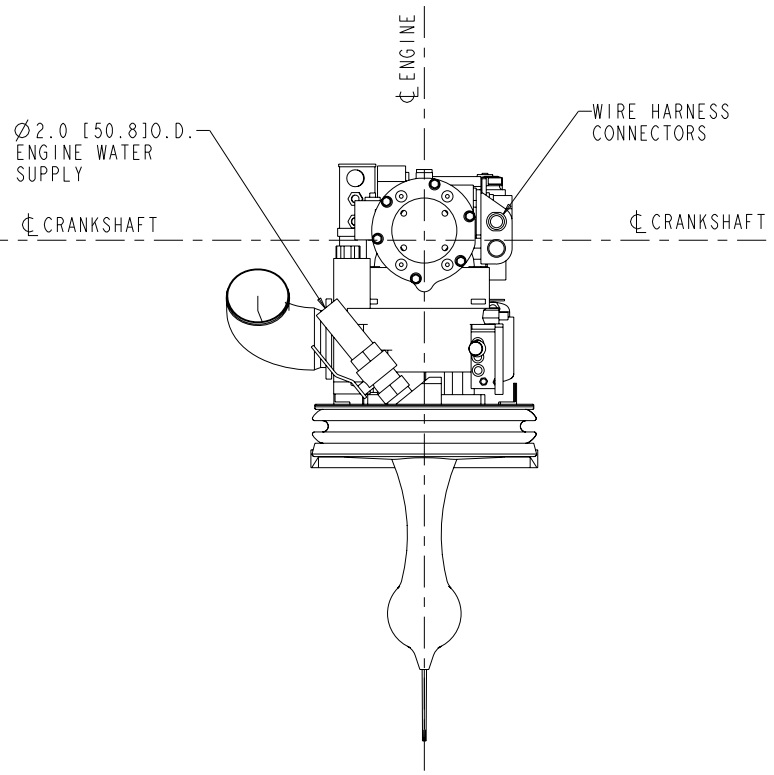
REVISIONS			
ZONE	REV	DESCRIPTION	APP'D
02	REVISED		



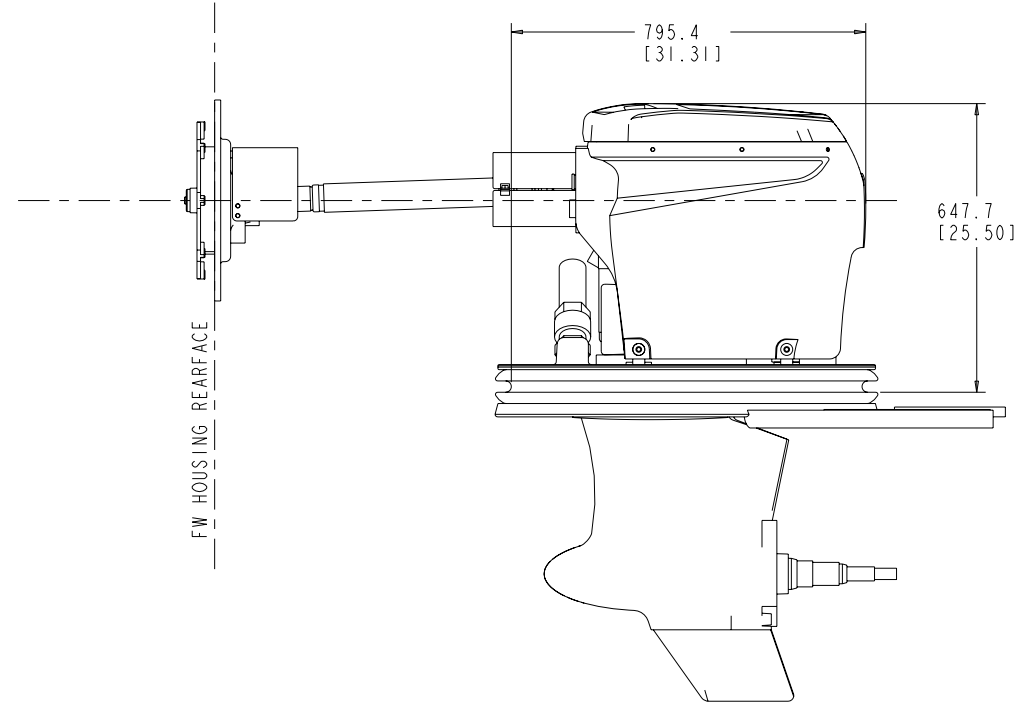
TOP VIEW
(SHROUD REMOVED)



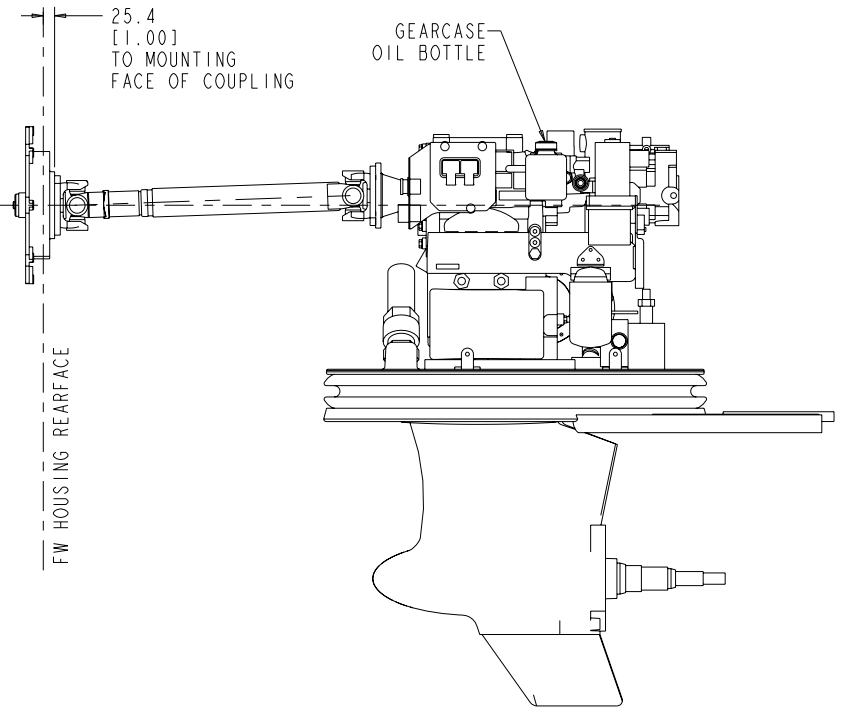
STARBOARD VIEW
(SHROUD & EXHAUST REMOVED)



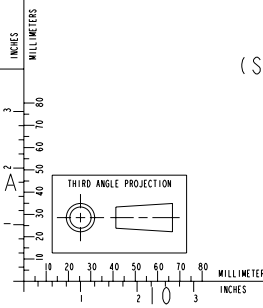
FRONT VIEW
(SHROUD REMOVED)



PORT VIEW



PORT VIEW
(SHROUD & SHIELDS REMOVED)



PRODUCT GRAPHICS FILE
NO ORIGINAL DRAWING EXISTS FOR THIS ITEM. THE ENGINEERING GRAPHICS DATA FOR THIS ITEM RESIDES IN THE PRODUCT GRAPHICS FILE AND IS CONTROLLED BY THE AGENCY DESIGNATED AS HAVING ITEM CONTROL.

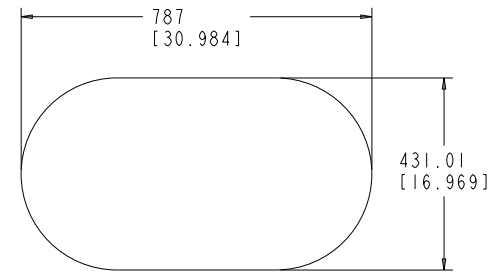
DO NOT SCALE THIS DRAWING

THIS DRAWING/DATA FILE (AND THE INFORMATION SHOWN THEREON) IS CONFIDENTIAL AND PROPRIETARY AND SHALL NOT BE USED, DISCLOSED TO OTHERS, OR REPRODUCED BY ANY MEANS FOR ANY PURPOSE IN HARD COPY FORM OR IN MACHINE READABLE FILES, WITHOUT WRITTEN CONSENT OF CUMMINS INC., MARKETING CAD SERVICES DEPARTMENT.

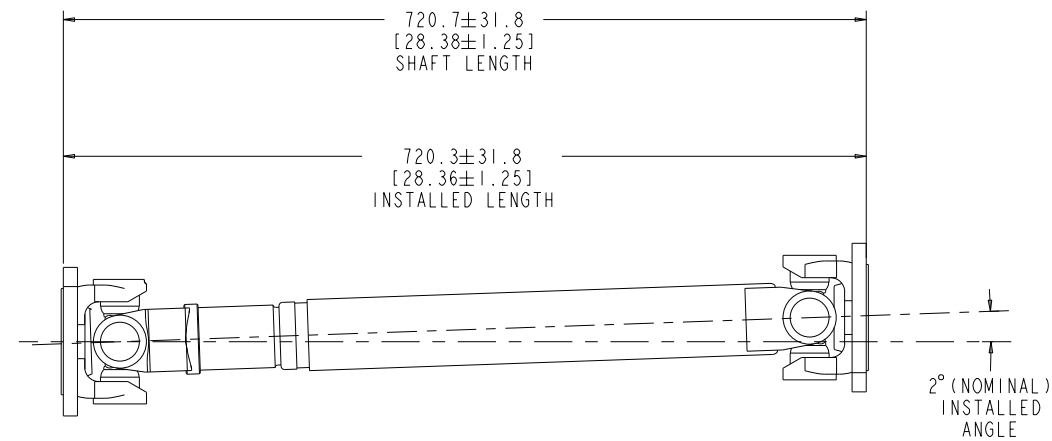
LAST SECTION LETTER USED:	REF. DRAWING STANDARDS: ANSI Y14.5M ISO 81101	CUMMINS INC.	
UNLESS OTHERWISE SPECIFIED DIMENSIONS ARE IN: MILLIMETERS () ARE IN: INCHES	ITEM NAME: QSB 5.9 W/ ZEUS DRIVE	IDENTIFIER: INSTALLATION DIAGRAM	
DWN: D. SOMIN	DATE: 7-11-87	SIZE CODE (IDENT. NO.):	ITEM NUMBER: 4953816
CHD: UNCHECKED	APPD:	SCALE: N/A	ITEM CONTROL: MCS
			SHEET 3 OF 4

ITEM NUMBER
4953816

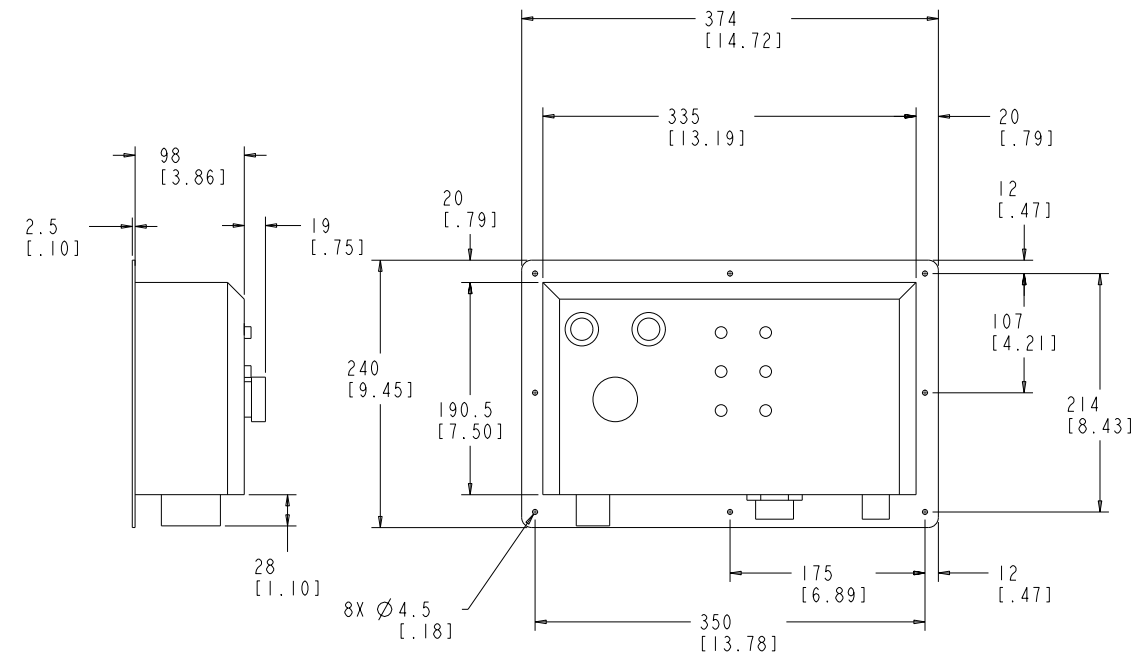
REVISIONS			
ZONE	REV	DESCRIPTION	APP'D
02	REVISED		



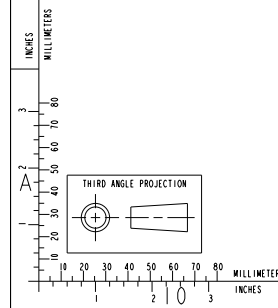
HULL CUTOUT DIMENSIONS



STANDARD DRIVE SHAFT



EI8014
VIP BOX



PRODUCT GRAPHICS FILE
NO ORIGINAL DRAWING EXISTS FOR THIS ITEM. THE ENGINEERING GRAPHICS DATA FOR THIS ITEM RESIDES IN THE PRODUCT GRAPHICS FILE AND IS CONTROLLED BY THE AGENCY DESIGNATED AS HAVING ITEM CONTROL.

DO NOT SCALE THIS DRAWING

THIS DRAWING/DATA FILE (AND THE INFORMATION SHOWN THEREON) IS CONFIDENTIAL AND PROPRIETARY AND SHALL NOT BE USED, DISCLOSED TO OTHERS, OR REPRODUCED BY ANY MEANS FOR ANY PURPOSE IN HARD COPY FORM OR IN MACHINE READABLE FILES, WITHOUT WRITTEN CONSENT OF CUMMINS INC., MARKETING CAD SERVICES DEPARTMENT.

LAST SECTION LETTER USED:	REF. DRAWING STANDARDS: ANSI Y14.5M ISO 81101	CUMMINS INC.	
UNLESS OTHERWISE SPECIFIED DIMENSIONS ARE IN: MILLIMETERS () ARE IN: INCHES	ITEM NAME: QSB 5.9 W/ ZEUS DRIVE	IDENTIFIER: INSTALLATION DIAGRAM	
DWN: D. SOMIN	APPD: UNCHECKED	SIZE CODE IDENT. NO.: J	ITEM NUMBER: 4953816
APPD:	SCALE: N/A	ITEM CONTROL: MCS	SHEET 4 OF 4