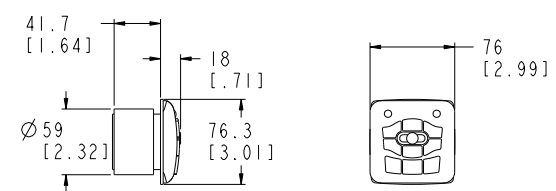
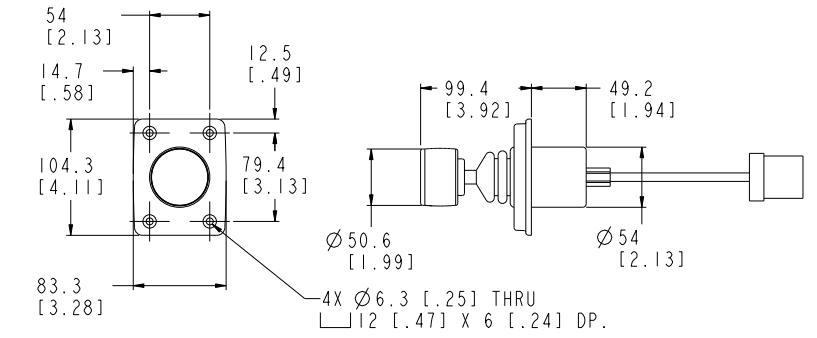


ITEM NUMBER
4953822

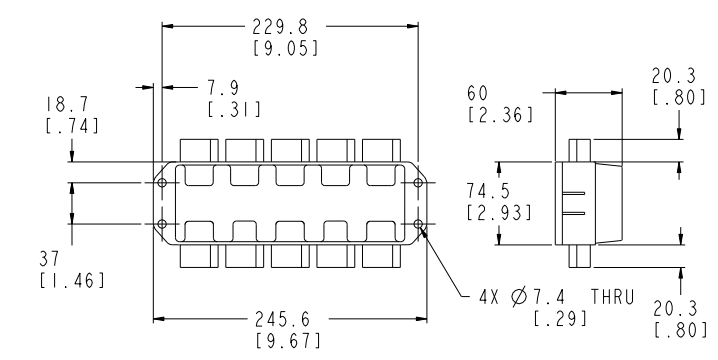
REVISIONS			
ZONE	REV	DESCRIPTION	APP'D
01	REVISED		



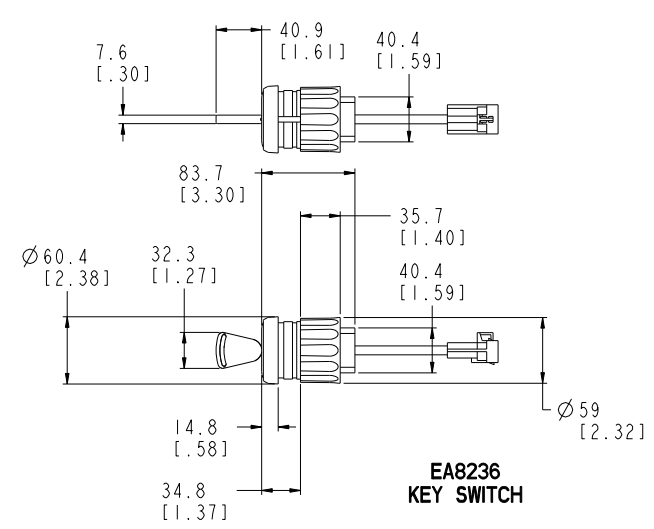
**EA8236
PRECISION PILOT PANEL**



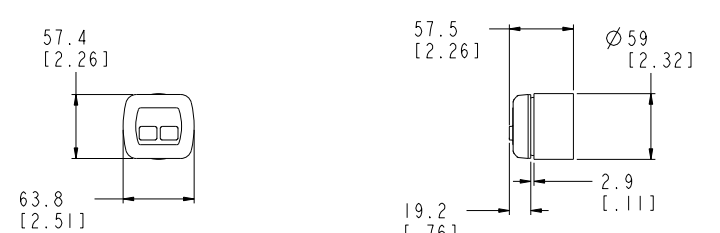
**EA8236
JOYSTICK**



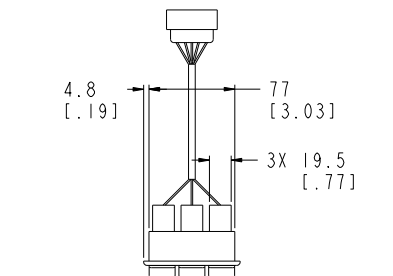
**EA8236/EA8268
SMART JUNCTION BOX**



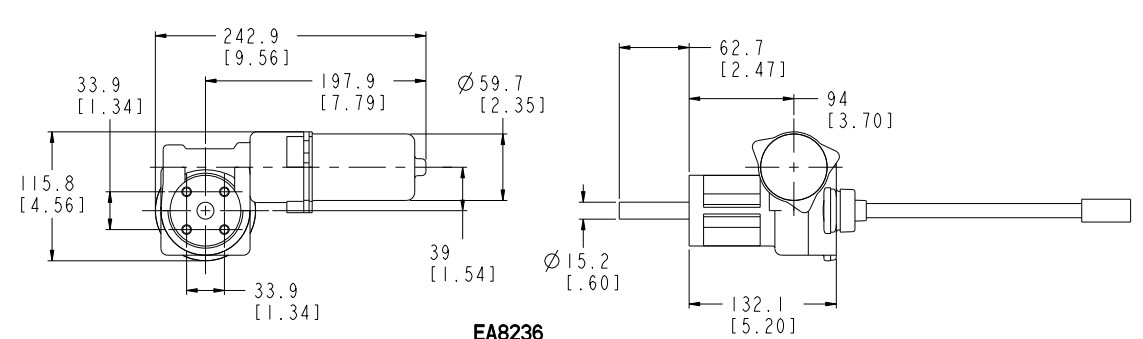
**EA8236
KEY SWITCH**



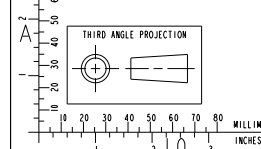
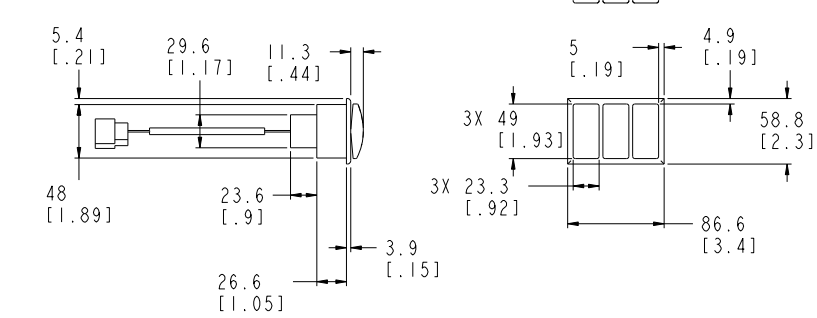
**EA8236/EA8264/EA8265/EA8268/EA8269/EG8019/EG8021
START/STOP PANEL**



**EA8236
TRIM TAB SWITCH PANEL**



**EA8236
STEERING COLUMN**



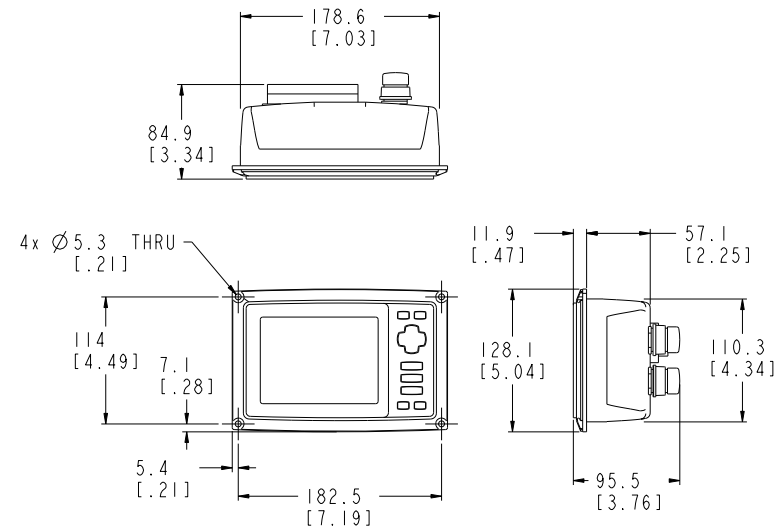
PRODUCT GRAPHICS FILE
NO ORIGINAL DRAWING EXISTS FOR THIS ITEM. THE ENGINEERING GRAPHICS DATA FOR THIS ITEM RESIDES IN THE PRODUCT GRAPHICS FILE AND IS CONTROLLED BY THE AGENCY DESIGNATED AS HAVING ITEM CONTROL.

DO NOT SCALE THIS DRAWING
THIS DRAWING/DATA FILE (AND THE INFORMATION SHOWN THEREON) IS CONFIDENTIAL AND PROPRIETARY AND SHALL NOT BE USED, DISCLOSED TO OTHERS, OR REPRODUCED BY ANY MEANS FOR ANY PURPOSE WITHOUT WRITTEN CONSENT OF CUMMINS INC., MARKETING CAD SERVICES DEPARTMENT.

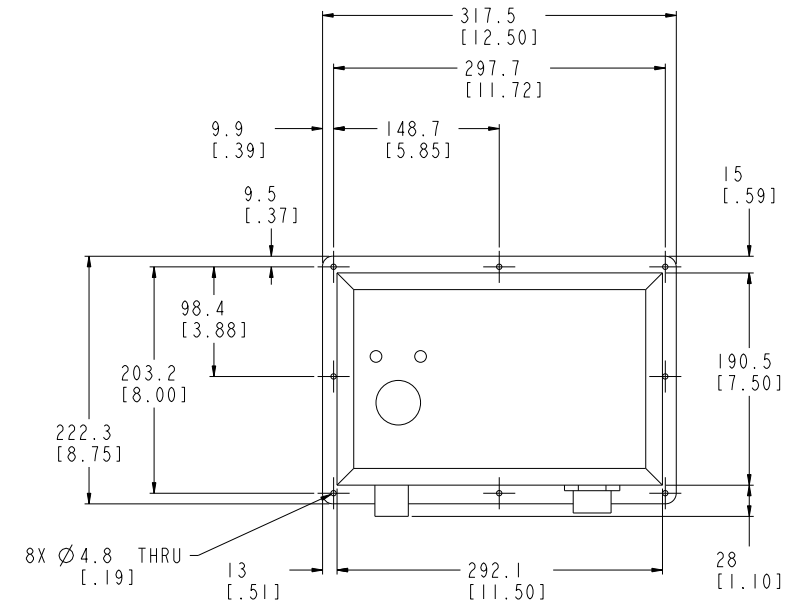
LAST SECTION LETTER USED: N/A	REF. DRAWING STANDARDS: ANSI Y14.5M ISO 81101	CUMMINS INC.	
UNLESS OTHERWISE SPECIFIED DIMENSIONS ARE IN: MM 1:3 ARE IN: IN		ITEM NAME ZEUS HELM COMPONENTS	IDENTIFIER
DWN: D. SOWIN	CHK: UNCHECKED	SIZE CODE (IDENT. NO.): J	ITEM NUMBER 4953822
APPD:		SCALE: 2:1	ITEM CONTROL: MCS SHEET 1 OF 3

ITEM NUMBER
4953822

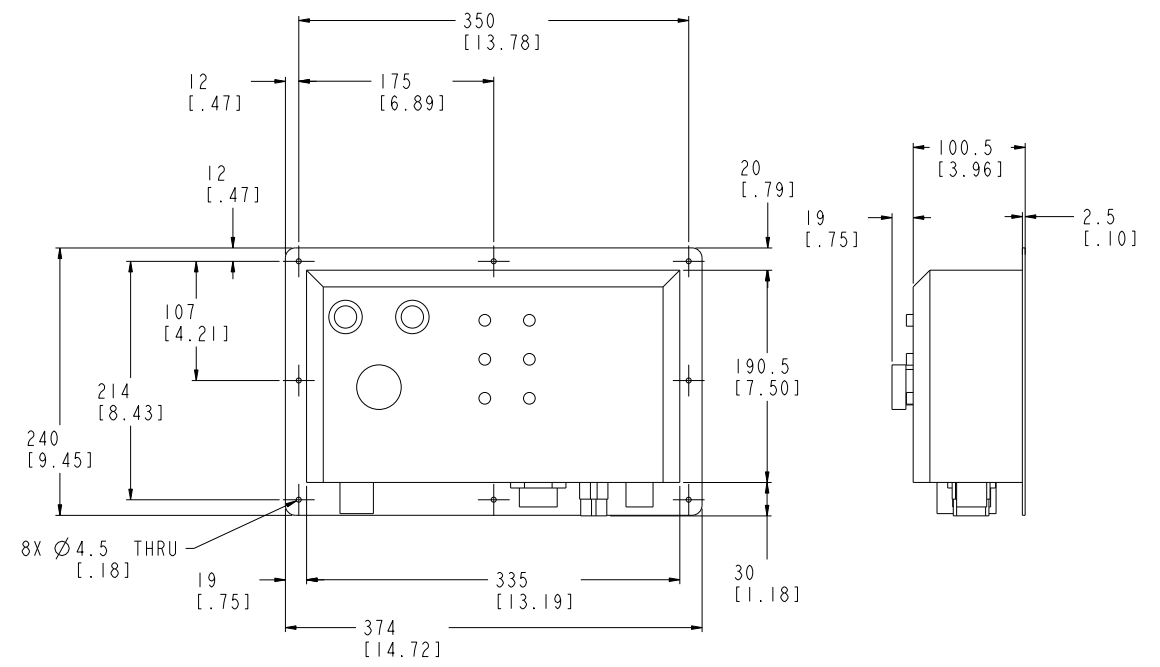
REVISIONS			
ZONE	REV	DESCRIPTION	APP'D
01	REVISED		



EG8022/EG8023/EG8051/EG8052
VESSEL VIEW DISPLAY



EI8012/EI8013
VESSEL INTEGRATION PANEL



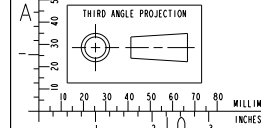
EI8014/EI8017/EI8018/EI8019/EI8020/EI8021
VESSEL INTEGRATION PANEL

PRODUCT GRAPHICS FILE
NO ORIGINAL DRAWING EXISTS FOR THIS ITEM. THE ENGINEERING GRAPHICS DATA FOR THIS ITEM RESIDES IN THE PRODUCT GRAPHICS FILE AND IS CONTROLLED BY THE AGENCY DESIGNATED AS HAVING ITEM CONTROL.

DO NOT SCALE THIS DRAWING

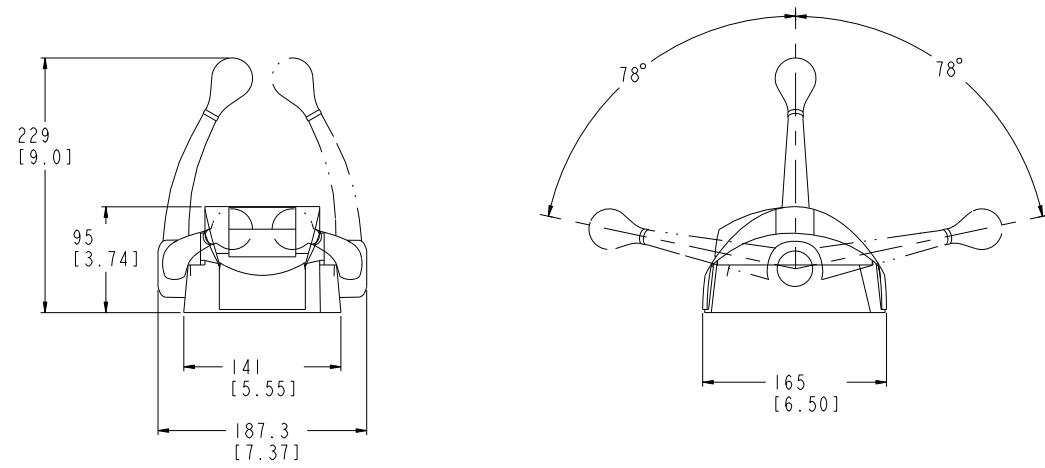
THIS DRAWING/DATA FILE (AND THE INFORMATION SHOWN THEREON) IS CONFIDENTIAL AND PROPRIETARY AND SHALL NOT BE USED, DISCLOSED TO OTHERS, OR REPRODUCED BY ANY MEANS FOR ANY PURPOSE IN HARD COPY FORM OR IN MACHINE READABLE FILES, WITHOUT WRITTEN CONSENT OF CUMMINS INC., MARKETING CAD SERVICES DEPARTMENT.

LAST SECTION LETTER USED: N/A	REF. DRAWING STANDARDS: ANSI Y14.5M ISO 81101	CUMMINS INC.	
UNLESS OTHERWISE SPECIFIED DIMENSIONS ARE IN: MM 1:1 ARE IN: IN	ITEM NAME ZEUS HELM COMPONENTS	IDENTIFIER	ITEM NUMBER
DWN: D. SOMIN	APPD: UNCHECKED	SIZE CODE IDENT. NO.:	4953822
SCALE: 25	ITEM CONTROL: MCS	SHEET 2 OF 3	

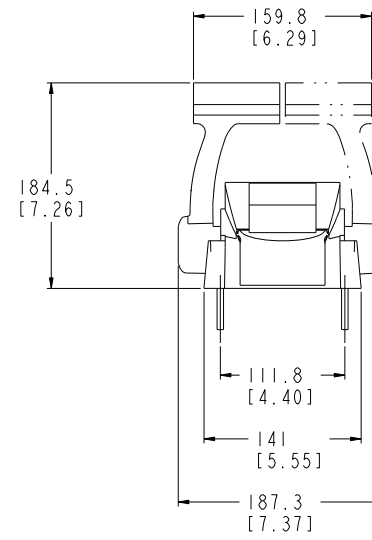


ITEM NUMBER
4953822

REVISIONS			
ZONE	REV	DESCRIPTION	APP'D
01	REVISED		D. SOWIN 12-13-97

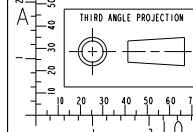


MS8017
THROTTLE - YACHT PREMIUM



MS8018
THROTTLE - YACHT STANDARD

INCHES
MILLIMETERS



DO NOT SCALE THIS DRAWING

THIS DRAWING/DATA FILE (AND THE INFORMATION SHOWN THEREON) IS CONFIDENTIAL AND PROPRIETARY AND SHALL NOT BE USED, DISCLOSED TO OTHERS, OR REPRODUCED BY ANY MEANS FOR ANY PURPOSE IN HARD COPY FORM OR IN MACHINE READABLE FILES, WITHOUT WRITTEN CONSENT OF CUMMINS INC., MARKETING CAD SERVICES DEPARTMENT.

PRODUCT GRAPHICS FILE
NO ORIGINAL DRAWING EXISTS FOR THIS ITEM. THE ENGINEERING GRAPHICS DATA FOR THIS ITEM RESIDES IN THE PRODUCT GRAPHICS FILE AND IS CONTROLLED BY THE AGENCY DESIGNATED AS HAVING ITEM CONTROL.

LAST SECTION LETTER USED: N/A	REF. DRAWING STANDARDS: ANSI Y14.5M ISO 81101	CUMMINS INC.	
UNLESS OTHERWISE SPECIFIED DIMENSIONS ARE IN: MM 1:1 ARE IN: IN		ITEM NAME ZEUS HELM COMPONENTS	IDENTIFIER
DWN D. SOWIN	CHK UNCHECKED	SCALE: 25	ITEM NUMBER 4953822
APPD		ITEM CONTROL: MCS	SHEET 3 OF 3